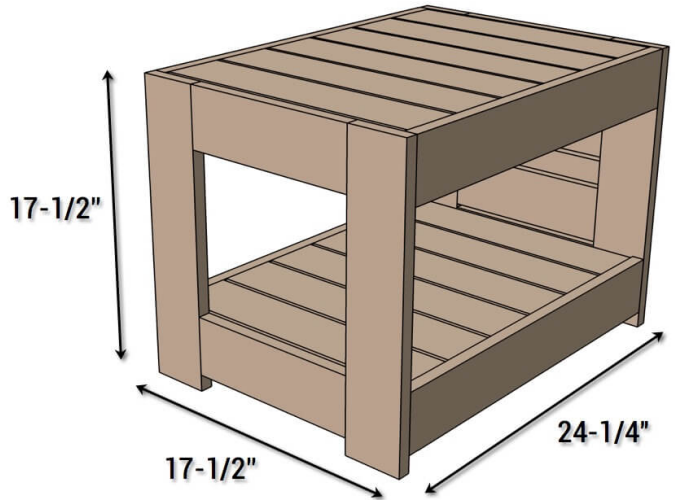


BELVEDERE

END

TABLE

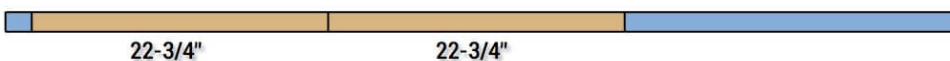
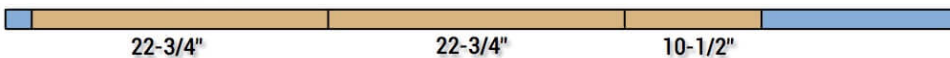
DIY PLANS BY:



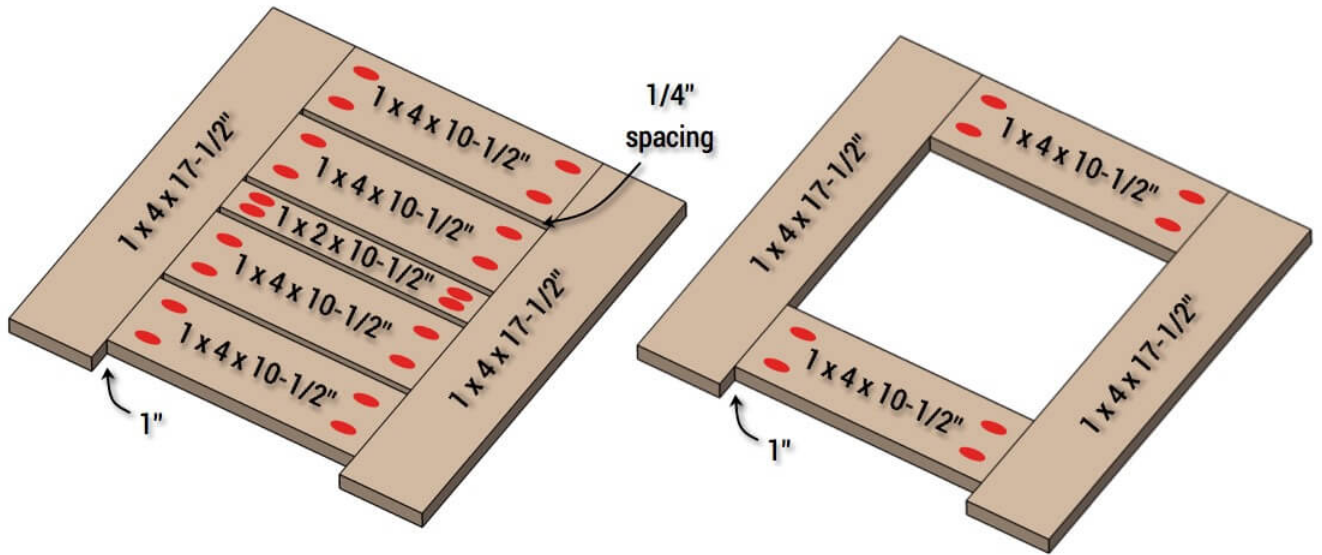
1 x 4 x 8' (Qty 5)



1 x 2 x 6' (Qty 2)



Step 1: Assemble Front and Back

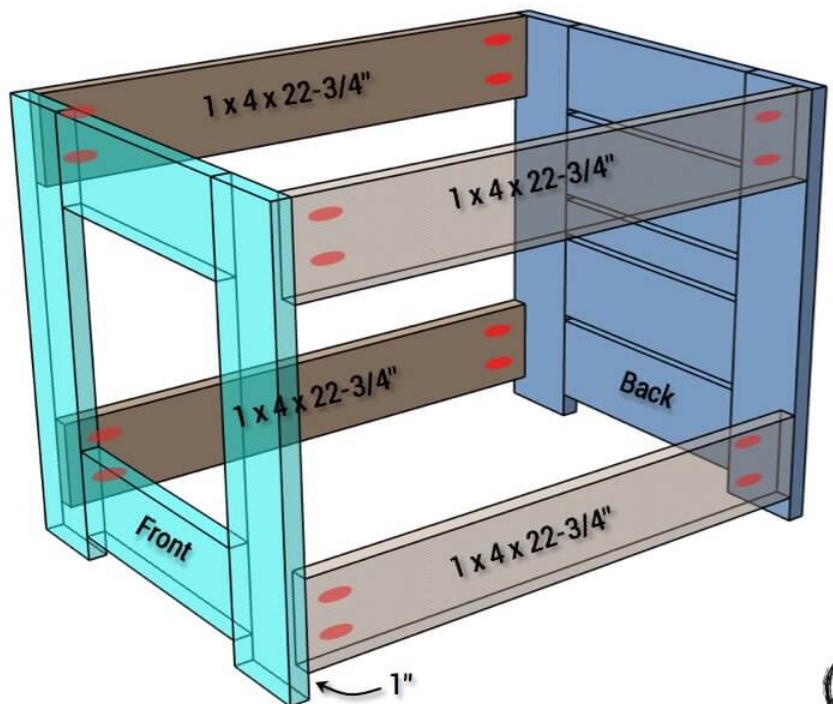


Drill pocket holes and assemble front and back using 1-1/4" pocket screws

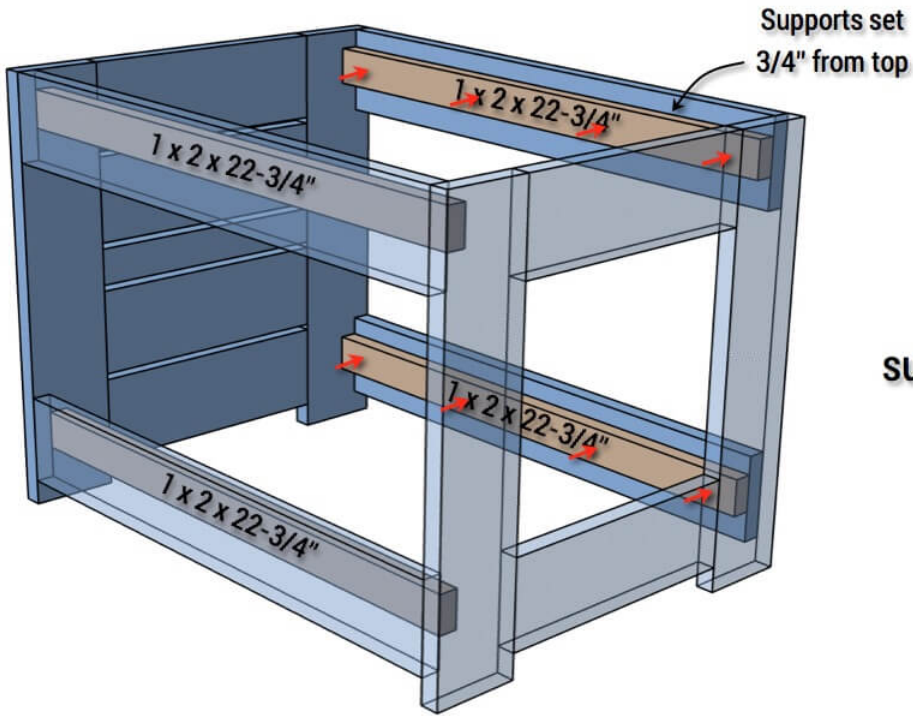


Step 2: Assemble Frame

Drill pocket holes and assemble frame as shown using 1-1/4" pocket screws



Step 3: Install Slat Supports



Glue and nail slat supports in place using 1-1/4" brad nails.



Step 4: Install Slats

Lay out the slats as shown. Then glue and nail in place using 1-1/4" brad nails.

