

# Shadow Box

How to build a custom shadow box.



So if you have read my introduction page you will know that we are expecting a baby girl, Madison, in March. My wife has been busy designing her nursery, which we all know means a list of projects for me. On that list was a shadow box to hold a dress that was passed down from my wife's mother.

### Tools Required:

Measuring Tape  
 Square  
 Pencil  
 Safety Glasses  
 Hearing Protection  
[Kreg Jig](#)  
 Drill  
 Circle/Table Saw  
 Dado Blade (Optional)

### Material List:

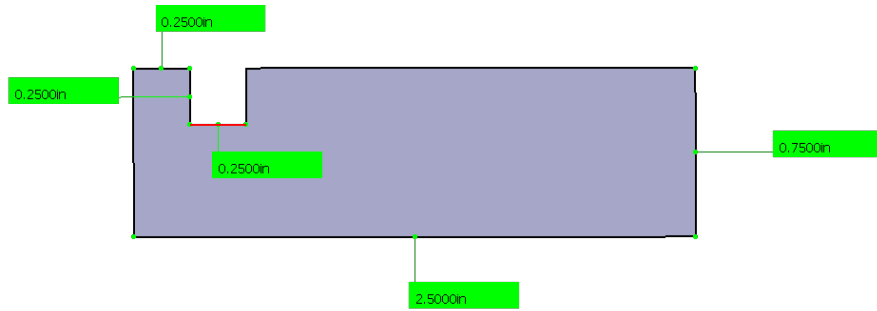
1x 1 x 3 x 8'  
 1x 24 x 48" bead board  
 1x 8ft of decorative trim for frame  
 1-1/4" Pocket Hole Screws  
 Finishing Nails  
 Wood Glue  
 Wall Hanger  
 Knob (optional)

### Cut List:

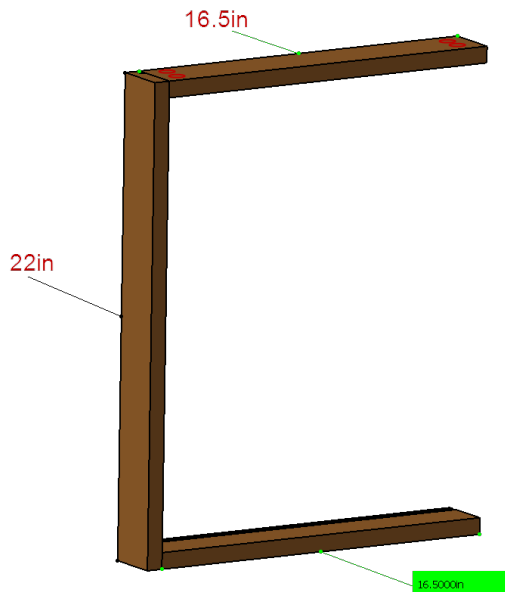
Qty	Dimensions	Notes
2x	1 x 3 x 16.5"	
2x	1 x 3 x 22"	
1x	22x18" bead board	If you don't have a dado blade don't cut this yet
2x	22.5" trim (long side)	Cut with 45deg inward cuts on both ends
2x	18.5" trim (long side)	Cut with 45deg inward cuts on both ends

## Step 1:

Using a dado to cut these grooves is very easy. Just set your table saw up to cut as the dimensions shown in the picture. Cut the groove in both side boards (1x3x22") and the top and bottom boards (1x3x16.5")



Note: If you do not have a dado blade you can always skip this step and cut your back panel to cover the entire back, to be nailed or screwed to the back of your box.



## Step 2:

Using the Kreg jig, drill two pocket holes in each end of the top and bottom boards. Attach the top and bottom boards to one side with two 1-1/4" pocket hole screws and glue at each joint. (You can use a 90deg clamp here to make this easier)

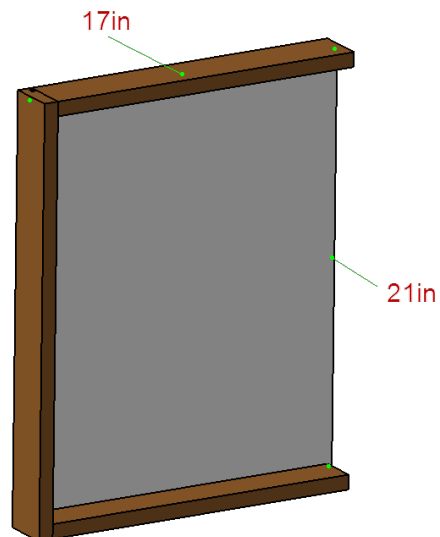
Make sure to wipe off any excess glue (Hint: Glue doesn't stain).

Note: If you do not have a Kreg jig you can simply screw or nail the boards together using wood screws or finishing nails.

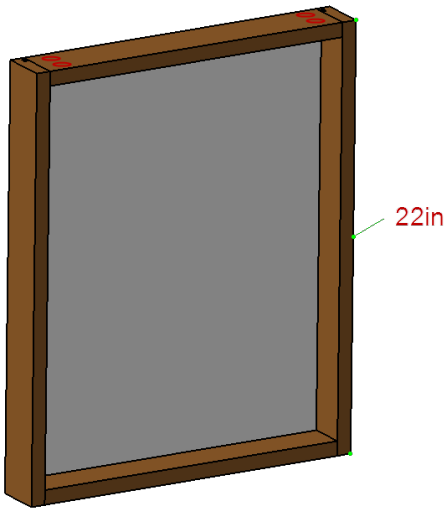
## Step 3:

This is an easy one. Just simply slide the 1/4x17x21" bead board panel into the groove.

Note: If you did not have a dado blade to cut this groove in step 1 then skip this step.



### Step 4:



Attach the top and bottom boards to the remaining side with two 1- $\frac{1}{4}$ " pocket hole screws and glue at each joint. (You can use a 90deg clamp here to make this easier)

Make sure to wipe off any excess glue (Hint: Glue doesn't stain).

Note: If you did not have a dado blade to cut this groove in step 1 then cut your bead board panel to 22x18" and screw it to the back using wood screws and glue.

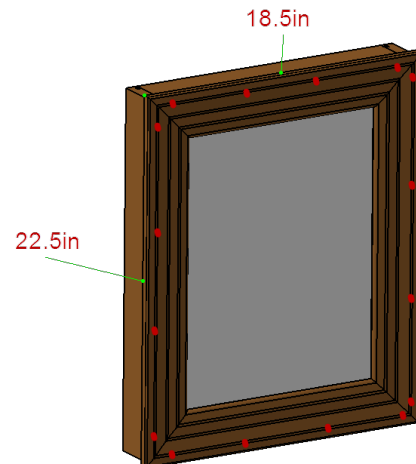
If you plan to paint the inside of the box white, I suggest you paint it now, because when the trim goes on it can be difficult.

### Step 5:

I like the look of a  $\frac{1}{4}$ " overhang of the trim. To do so, the two sides at 22.5" on the long side with 45deg cuts at both ends as shown. Also cut the top and bottom at 18.5" on the long side with 45deg cuts at both ends as shown.

If you are staining the trim like we did and painting the interior white, now would be a good time to stain versus trying too after its assembled.

Assemble the trim as shown, leaving a  $\frac{1}{4}$ " overhang all the way around, and tack it to the box using finishing nails as shown in the photo.



### Step 6:

Add a wall hanger, centered, on the back at the top, to hang your shadow box.

Also, we chose to add a crystal knob to hold a special dress, but your not limited here, add shelves or whatever it is to make it your very own and hold your special something!



**Finishes:**

Coming Soon