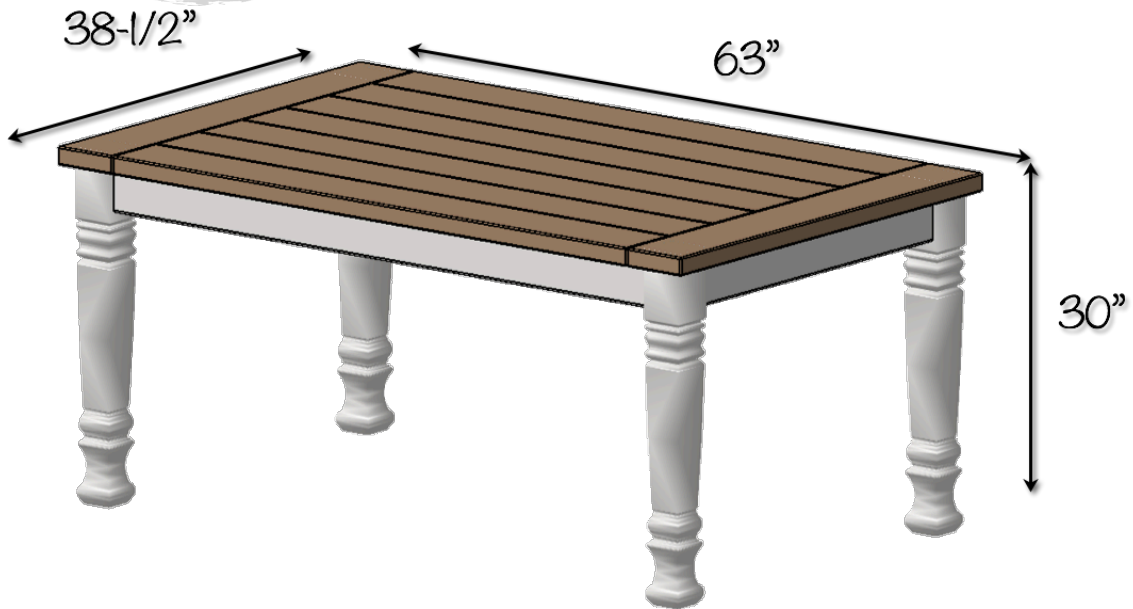


DIY FARMHOUSE DINING ROOM TABLE



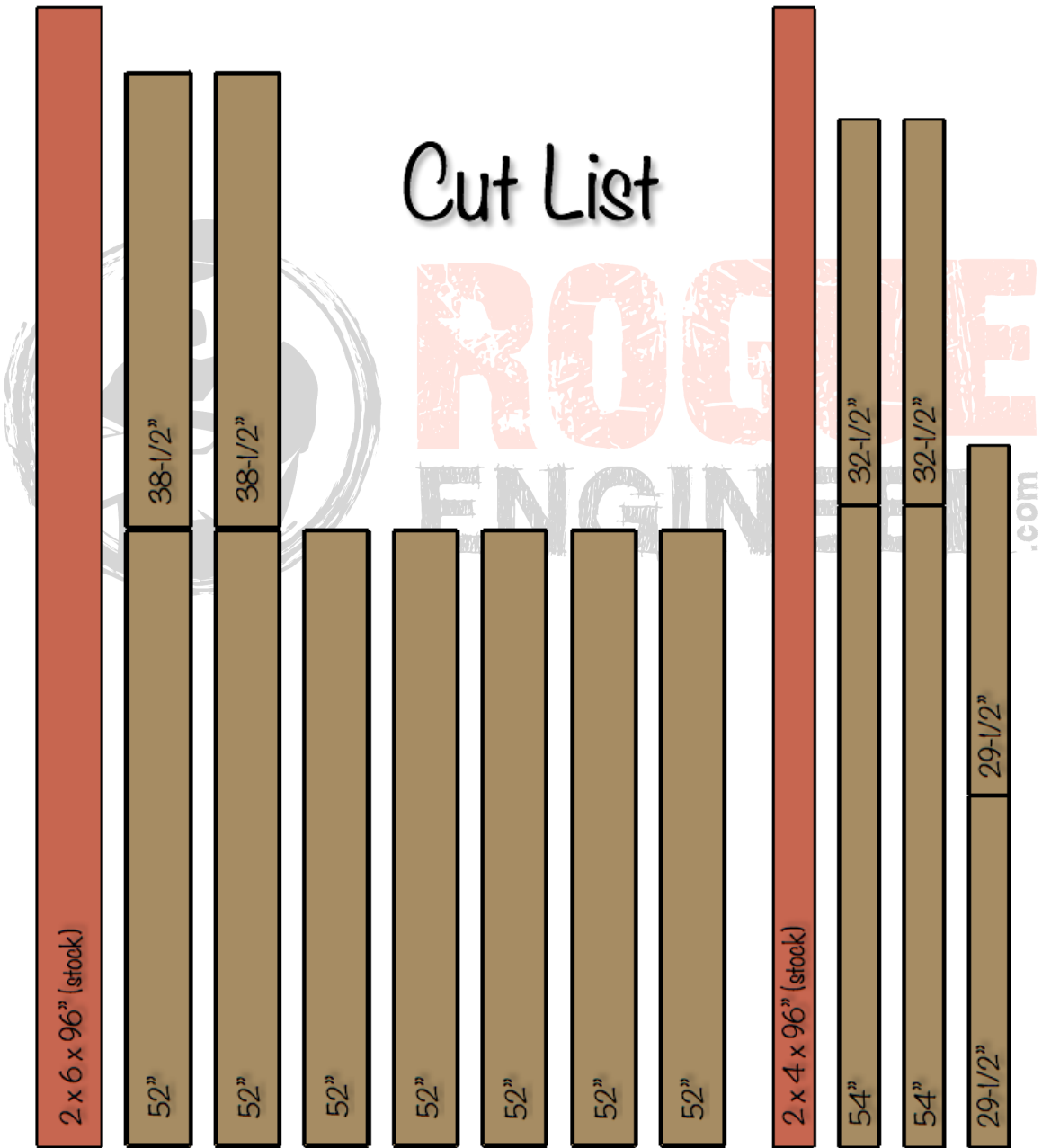
PLANS

ROGUE
ENGINEER.com

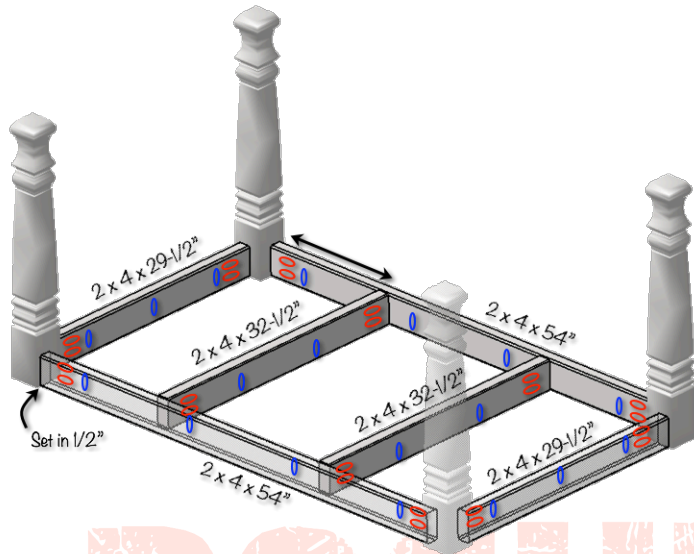


SHOPPING LIST

Materials	Qty	Unit Cost	Cost
2 x 6 x 96"	7	\$5.18	\$36.26
2 x 4 x 96"	3	\$2.92	\$8.76
Table Legs	4	\$31.84	\$127.36
2-1/2" Pocket Screws	≈100	≈\$5/50ct	≈\$10
Total Cost			≈\$182.38



Step 1: Assemble Base



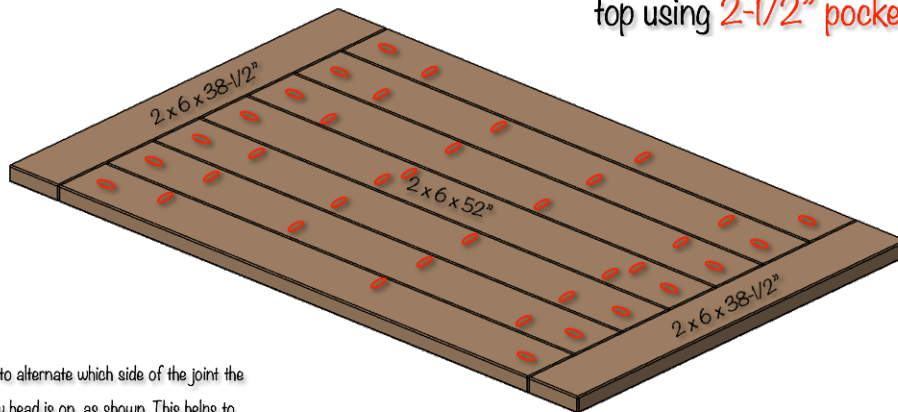
Drill the appropriate pocket holes in the boards, as shown. (Pocket holes shown in blue will be used later on to attach the top.)

Assemble the base as shown using $2\frac{1}{2}''$ pocket screws.

ROGUE
ENGINEER.com

Step 2: Assemble Table Top

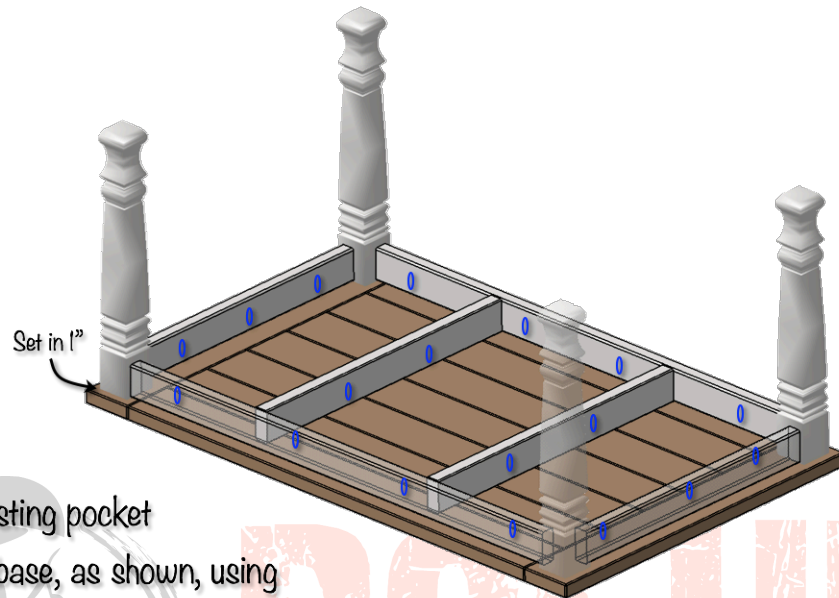
Drill pocket holes as shown. Then, clamping the joints, assemble table top using $2\frac{1}{2}''$ pocket screws.



Tip:

I like to alternate which side of the joint the screw head is on, as shown. This helps to dissuade the top from twisting or cupping.

Step 3: Assemble Table



Using pre-existing pocket holes, attach base, as shown, using 2-1/2" pocket screws.



ROGUE
ENGINEER.com