

Simple Floating Shelf

Tools Required

Pocket Hole Jig
Drill
Miter Saw
Stud Finder
Tape Measure
Pencil
Safety Glasses
Hearing Protection

Materials

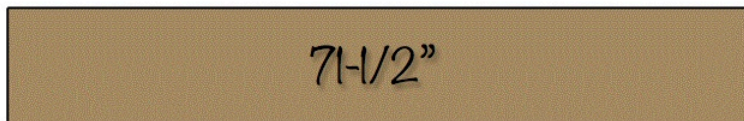
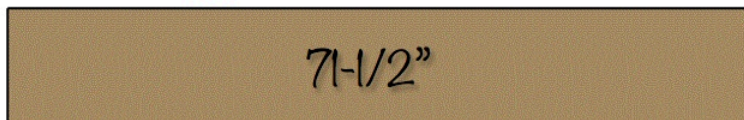
Pine, Common Boards

- Qty 2 1 x 12 x 72"
- Qty 1 1 x 6 x 96"
- Qty 2 2 x 4 x 96"

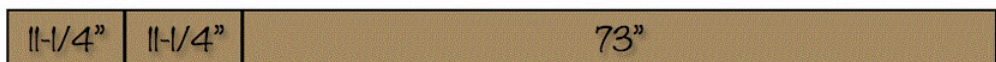
1-1/4" Pocket Screws (Coarse)
3-1/2" Wood Screws
Large Nail Heads (Optional)

ROGUE ENGINEER.com

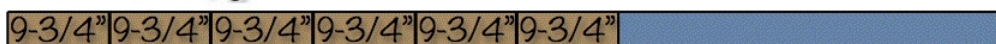
1 x 12 x 72" (Qty 2)



1 x 6 x 96"



2 x 4 x 96" (Qty 2)



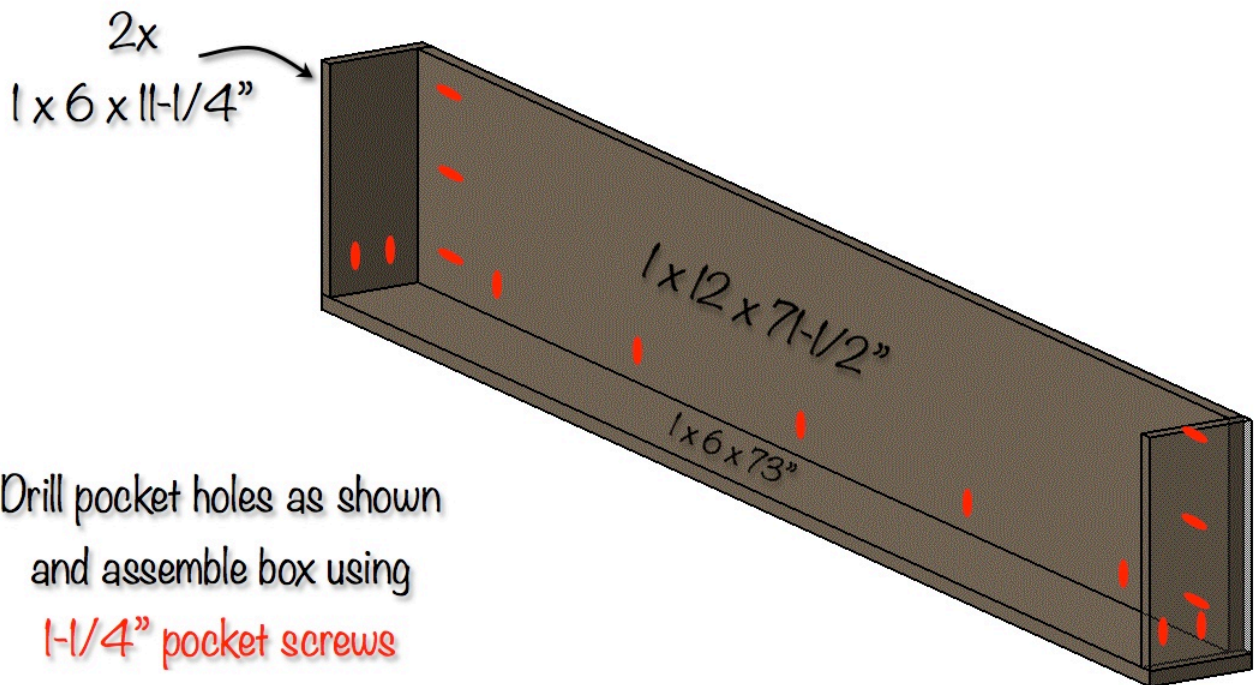
Step 1: Assemble and Install Frame

Drill pocket holes as shown
and assemble frame using
2-1/2" pocket screws.

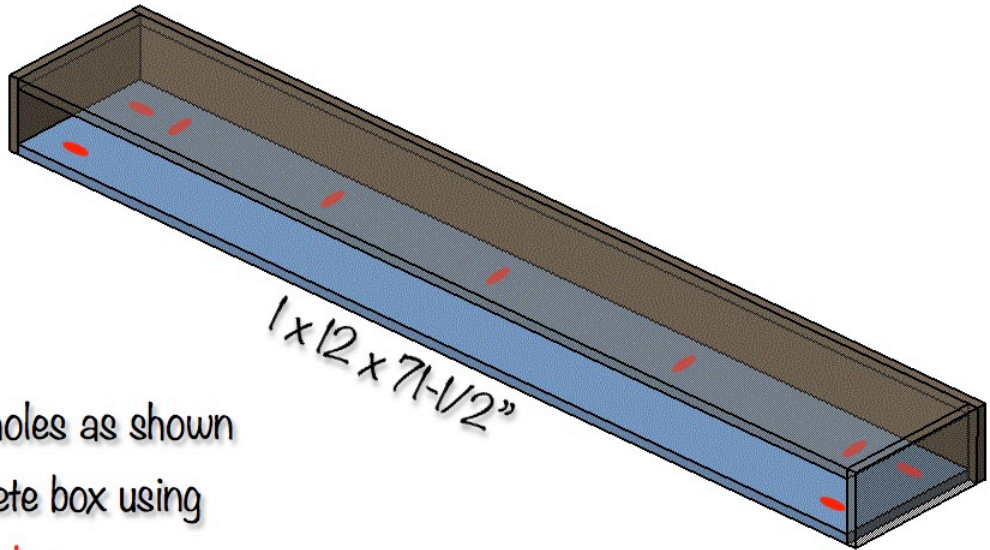


ROGUEENGINEER.com

Step 2: Assemble Box



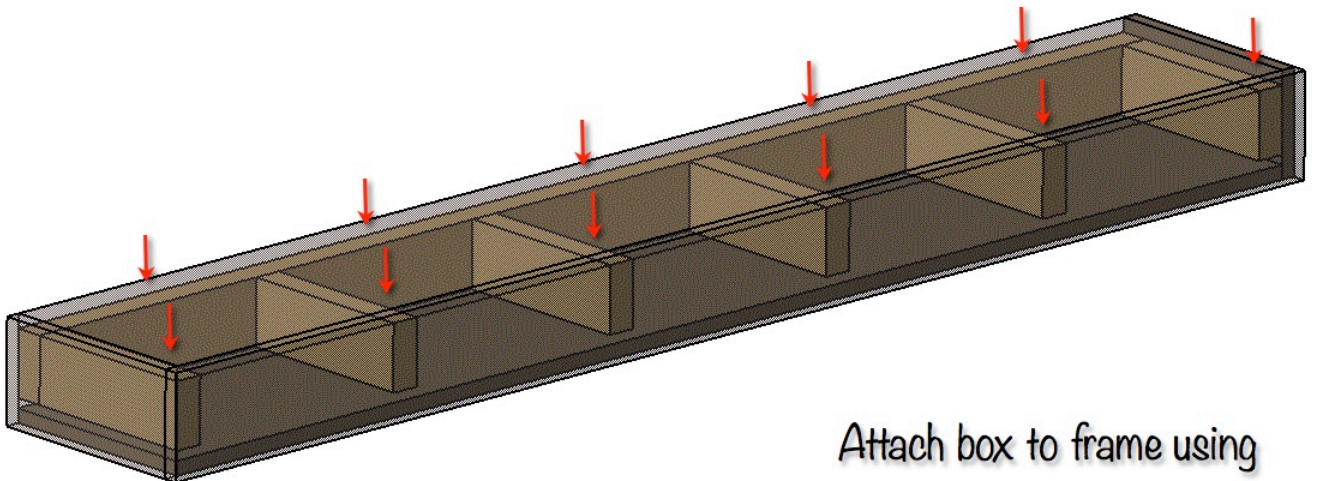
Step 3: Assemble Box



Drill pocket holes as shown
and complete box using
1-1/4" pocket screws

ROGUEENGINEER.com

Step 4: Attach Box to Frame



Attach box to frame using
1-1/4" wood screws.