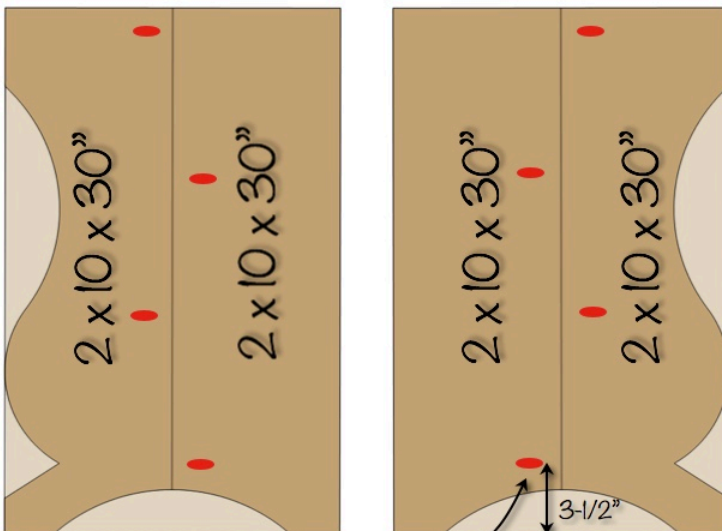


## Step 1: Assemble and Cut Out Legs (Qty 2)



Make sure pocket hole avoids cut out area

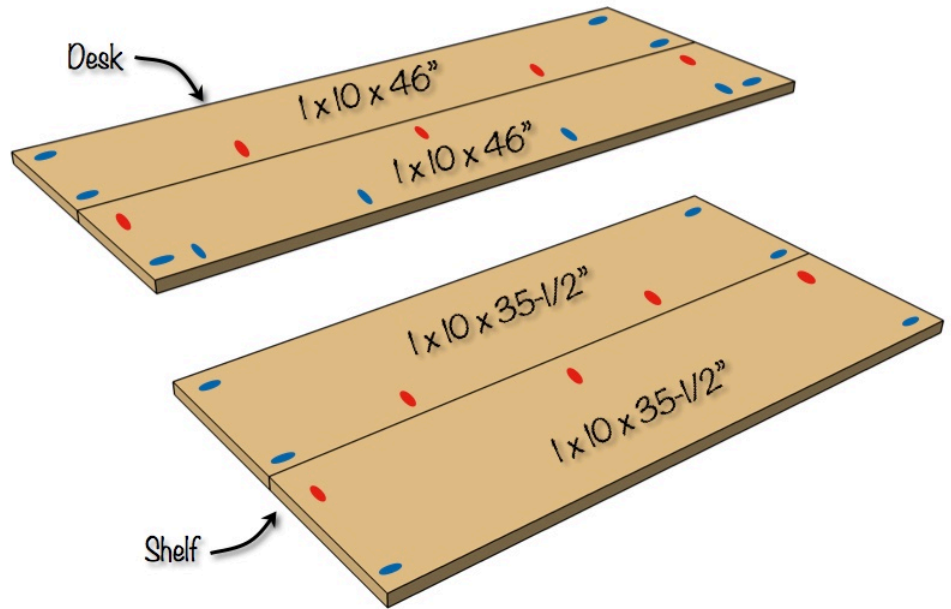
Drill pocket holes as shown and assemble legs using 2-1/2" pocket screws.

Trace template and cut out legs using a Jig Saw. Smooth out edges with sander. Then plug pocket holes and sand flat.

## Step 2: Assemble Desk and Shelf

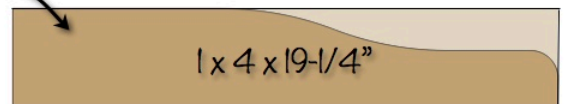
Drill pocket holes and assemble desk and shelf using 1-1/4" pocket screws.

Drill pocket holes as shown for future steps.

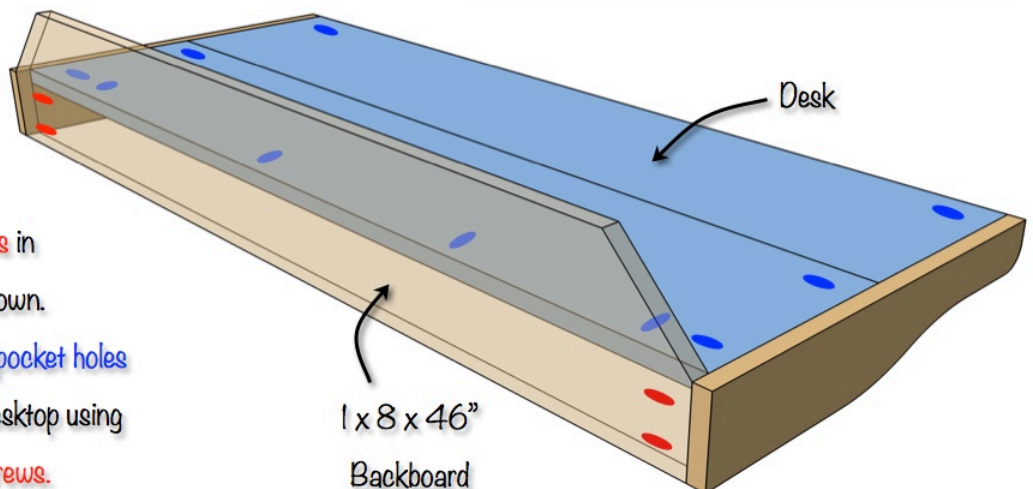


## Step 3: Assemble Desktop

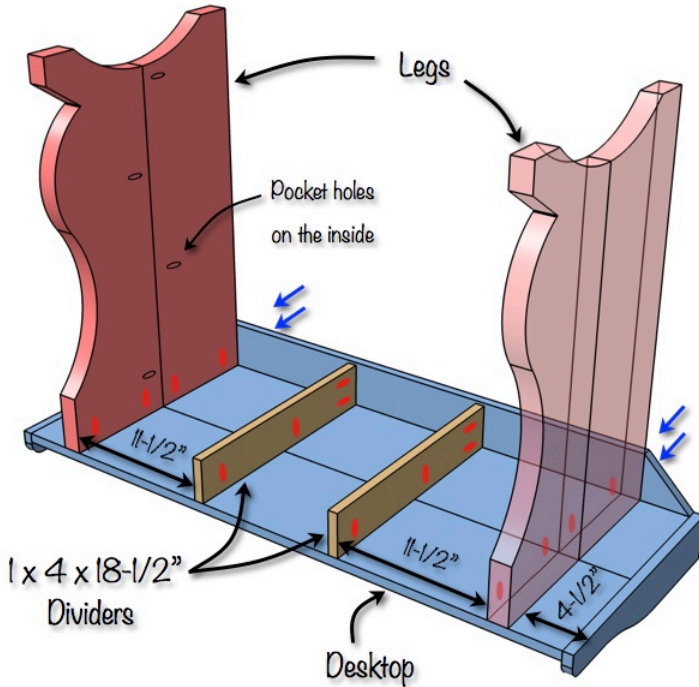
First cut out 2 side rails  
(Using template provided)



Drill pocket holes in backboard as shown.  
Utilize new and existing pocket holes in desk and assemble desktop using 1-1/4" pocket screws.



## Step 4: Install Legs and Dividers



Drill pocket holes for **3/4"** material in the legs and dividers as shown.

Install legs and dividers using **1-1/4"** pocket screws and **1-1/2"** wood screws.

**Note:** Use the shelf as a spacer when positioning the legs.

## Step 5: Install Shelf

Utilize **existing pocket holes** in shelf and install using **1-1/4"** pocket screws. Secure dividers to shelf using **1-1/2"** wood screws.

